

FINNKAIHDIN.

PALAZZO® Noblesse
The high-performance sunshade



Glatz 

PALAZZO® Noblesse



Material and technology

Frame:	With 8, 10 or 12 parts made from aluminium, with non-rotating pole (incl. reinforcing ribs), with telescopic and counteractive opening principle for convenient, patented opening with just a few turns of the crank. Profiled Glatz pole profile Ø 105 mm, wall thickness 4.5 mm, with reinforcement rods. Rods: 23×50 mm, with a removable hand crank.
Frame colour:	Anodized natural Additional charge for powder-coated sunshade frames in other RAL colours: Price upon enquiry
Frameform:	round, rectangular or square
Special sizes:	A wide variety of special sizes are available on request.
Drive:	with crank or with motor drive for greatest comfort
Shade cover:	Tension can be adjusted using stepless strut extension, available in material class 5 (100% polyacrylic approx. 300g/m ²)
Flounce:	Available with or without flounce. The model without flounce is equipped with leather reinforcements.
Protective cover:	optional



Area of use



Type of fastening

PALAZZO® Noblesse,
Int. Patents reg. © Int. Design reg.



Swiss
Made



Assortment

Nominal size	Order no. Frame with crank anodized natural	Order no. Frame with motor anodized natural	Order no. Frame with crank anodized natural	Order no. Frame with motor anodized natural
○	without Volant	without Volant	with Volant	with Volant
Ø 450 ⁹	330 00 450 171	331 00 450 171	330 00 450 170	331 00 450 170
Ø 500 ⁹	330 00 500 171	331 00 500 171	330 00 500 170	331 00 500 170
Ø 600 ¹⁰	330 00 600 171	331 00 600 171	330 00 600 170	331 00 600 170
Ø 700 ¹⁰	330 00 700 171	331 00 700 171	330 00 700 170	331 00 700 170

□				
450×350 ⁹	330 00 451 171	331 00 451 171	330 00 451 170	331 00 451 170
500×400 ⁹	330 00 502 171	331 00 502 171	330 00 502 170	331 00 502 170
600×300 ¹⁰	330 00 604 171	331 00 604 171	330 00 604 170	331 00 604 170
600×400 ¹⁰	330 00 622 171	331 00 622 171	330 00 622 170	331 00 622 170
600×500 ¹⁰	330 00 623 171	331 00 623 171	330 00 623 170	331 00 623 170

□				
400×400 ⁹	330 00 402 171	331 00 402 171	330 00 402 170	331 00 402 170
450×450 ⁹	330 00 452 171	331 00 452 171	330 00 452 170	331 00 452 170
500×500 ⁹	330 00 503 171	331 00 503 171	330 00 503 170	331 00 503 170
500×500 ¹¹	330 00 514 171	331 00 514 171	330 00 514 170	331 00 514 170
550×550 ¹¹	330 00 551 171	331 00 551 171	330 00 551 170	331 00 551 170
600×600 ¹¹	330 00 602 171	331 00 602 171	330 00 602 170	331 00 602 170

Nominal size	Lateral distance	Pole Ø	Area covered	Slide distance	Height closed	Clear headroom	Tolerance clear headroom	Total height	Height open	Foundation	Minimum weight for base	¹² max. wind speed open perm.
cm	cm	cm	m ²	cm	cm	cm	cm	cm	cm	cm	kg	km/h (wind force)
A	AS	M	B	D	E	F		G	H	C		
Ø 450 ⁹	416	10.5	14.3	69	160	210	9.2	393	310	100×100	240	85 (9)
Ø 500 ⁹	462	10.5	17.7	69	150	210	9.2	409	310	100×100	240	75 (9)
Ø 600 ¹⁰	571	10.5	27.0	69	105	210	9.2	412	310	125×125	430	80 (9)
Ø 700 ¹⁰	665	10.5	36.8	88	85	210	9.2	444	330	135×135	620	70 (8)
450×350 ⁹	-	10.5	15.8	69	115	210	9.2	407	310	100×100	240	85 (9)
500×400 ⁹	-	10.5	20.0	88	100	210	9.2	430	329	100×100	430	70 (8)
600×300 ¹⁰	-	10.5	18.0	70	85	210	9.2	435	350	100×100	240	80 (9)
600×400 ¹⁰	-	10.5	24.0	70	80	210	9.2	455	350	135×135	430	75 (9)
600×500 ¹⁰	-	10.5	30.0	70	82	210	9.2	486	350	135×135	430	70 (8)
400×400 ⁹	-	10.5	16.0	69	125	210	9.2	410	310	100×100	240	95 (10)
450×450 ⁹	-	10.5	20.3	88	100	210	9.2	427	330	120×120	430	80 (9)
500×500 ⁹	-	10.5	25.0	88	82	210	9.2	444	329	120×120	430	70 (8)
500×500 ¹¹	-	10.5	25.0	88	80	210	9.2	443	329	125×125	430	85 (9)
550×550 ¹¹	-	10.5	30.3	70	92	210	9.2	494	350	125×125	430	75 (9)
600×600 ¹¹	-	10.5	36.0	70	80	210	9.2	513	349	135×135	620	65 (8)

⁹ 8 parts

¹⁰ 10 parts

¹¹ 12 parts

¹² 10 km/h less with flounce

The above measures represent extrapolated average values that may be slightly different on the product ($\pm 2\% \pm 5$ cm).

If a minimum height underneath is required, this must be agreed with Glatz.

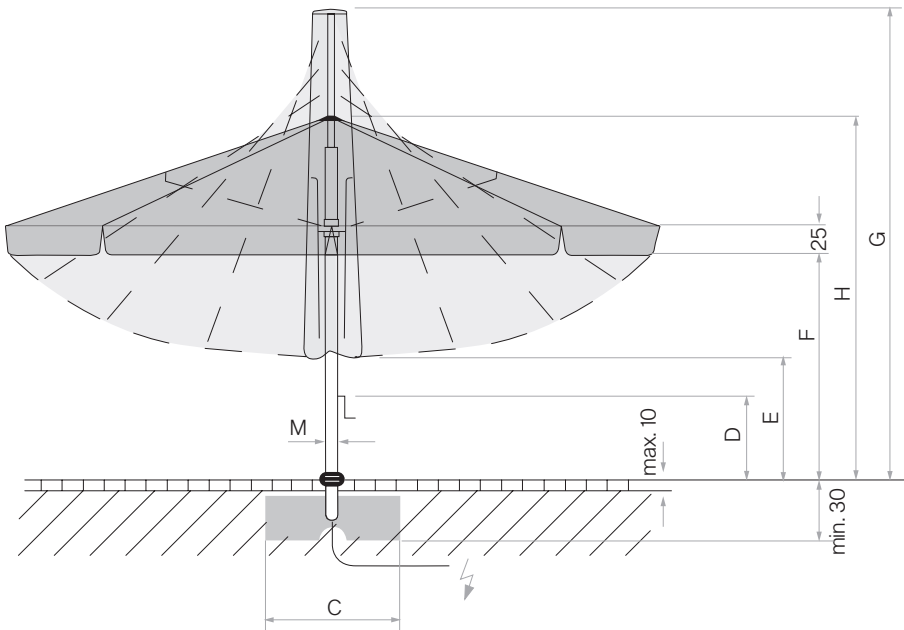
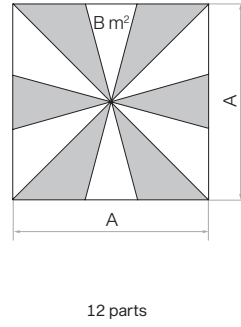
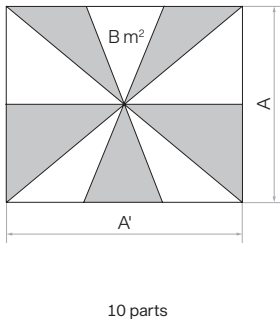
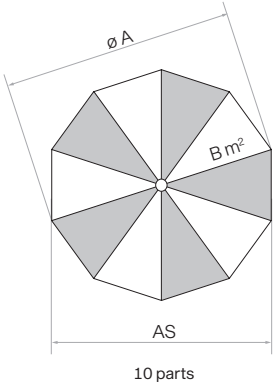
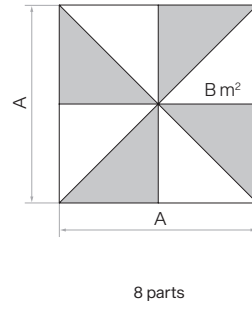
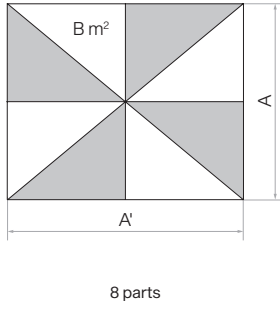
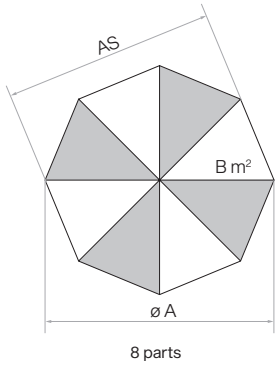
The measures of the height are determined by the M4/M8 ground socket. If one of the offered bases is used, these measures change only slightly.

Except for base M4, 180 kg plus 15.5 cm, 240 kg plus 19 cm.

The max. wind speed limits as per our separate list apply only in the presence of a fix ground anchorage.

In the presence of several sunshades, the min. distance between one sunshade and another and between sunshades and walls shall be 20 cm.

Opening and closing using a battery-operated drill is not permitted.



Loose cover max. 10 cm, concrete thickness min. 30 cm (pay attention to frost depth), water outflow, 1 supply line to electric.

Accessories

Fixing option M4 / M8 / M16 (Support tube or Tip-over hinge absolutely necessary)		Order no.	
1	Base M4 / M8 / M16, 430 kg / 620 kg (8 or 12 concrete elements) 101.2 × 101.2 × 22 – 26 / 31 – 35 cm, galvanised steel (price without elements)	350 01 226 945	
2	Mounting plate M4 / M8, 30 × 30 × 1.5 cm, galvanised steel	350 01 226 921	
Fixing option M4 (support tube M4 absolutely necessary)			
3	Base M4, 240 kg, (for 16 plates 40 × 40 × 4 cm), 91 × 91 × 19 – 23 cm, zinc-plated steel (adjustable and levellable) (price without plates)	350 01 108 435	
4	Cover for base M4, 88 × 88 × 5 cm, brushed aluminium (imitate)	350 01 100 400	
	Set of castors for base M4 (maximum weight 240 kg), Ø 5 cm, H = 5.5 cm, galvanised steel	350 01 100 500	
5	Ground socket M4, galvanised steel	350 01 226 510	
6	Mounting plate M4 special, for installation height 50 – 149 mm, galvanised steel	350 01 226 932	
7	Mounting plate M4 special, for installation height 150 – 350 mm, galvanised steel	350 01 226 930	
	Mounting plate M4 for isolated grounds, installation height made to measure, high-grade steel 1.4301 / 304	350 01 229 730	
8	Support tube M4 with profile PzS / PzN, galvanised steel (with cover, adjustable and revellable)	350 01 227 040	
Fixing option M8 (tip-over hinge M8 absolutely necessary)			
9	Ground socket M8, galvanised steel	350 01 226 000	
6	Special mounting plate, M8, for heights of 50 – 149 mm, galvanised steel	350 01 229 707	
7	Special mounting plate, M8, for heights of 150 – 350 mm, galvanised steel	350 01 229 705	
	Mounting plate, M8, for insulated base, height to order, high-grade steel 1.4301 / 304	350 01 229 732	
10	Tip-over hinge M8 with profile PzS / PzN, galvanised steel (adjustable and revellable)	350 01 225 040	
Concrete elements for base M4 / M8 / M16			
	Concrete element set, 8 pieces, 48.3 × 48.3 × 9.4 cm, (ca. 385 kg), concrete	350 01 226 948	
	Concrete element set, 12 pieces, 49 × 49 × 9.4 cm, (ca. 570 kg), concrete	350 01 226 946	
Slabs for base M4			
	Slab set, 16 pieces, 40 × 40 × 4 cm, (ca. 220 kg), concrete	350 01 226 904	
	Slab set, 16 pieces, 40 × 40 × 4 cm, (ca. 225 kg), 12 pieces concrete, 4 pieces in granite-look	350 01 226 903	
Protective cover made of tear-resistant, coated polyester fabric with lacing		suitable for shade sizes in cm	
11	Protective cover with zip and rod, 325 × 90 cm	Ø 450 / Ø 500	350 01 609 815
11	Protective cover with zip and rod, 400 × 100 cm	Ø 600 / Ø 700 / 450 × 350 / 500 × 400 / 400 × 400 / 450 × 450 / 500 × 500 / 600 × 300 / 600 × 400	350 01 609 825
11	Protective cover with zip and rod, 480 × 110 cm	600 × 500 / 550 × 550 / 600 × 600 / 700 × 500	350 01 609 835
⁵ Rain gutter and curtain (suitable only for square and rectangular sunshades)			
12	Rain gutter conical 300 cm, PzNS, ⁶ 3/3, incl. fastener set acrylic/PVC		350 01 709 331 XXX
12	Rain gutter conical 350 cm, PzNS, ⁶ 3/3, incl. fastener set acrylic/PVC		350 01 709 332 XXX
12	Rain gutter conical 400 cm, PzNS, ⁶ 3/3, incl. fastener set acrylic/PVC		350 01 709 334 XXX
12	Rain gutter conical 450 cm, PzNS, ⁶ 3/3, incl. fastener set acrylic/PVC		350 01 709 336 XXX
12	Rain gutter conical 500 cm, PzNS, ⁶ 3/3, incl. fastener set acrylic/PVC		350 01 709 338 XXX
12	Rain gutter conical 500 cm, PzNS, ⁶ 4/4, incl. fastener set acrylic/PVC		350 01 709 340 XXX
12	Rain gutter conical 500 cm, PzNS, ⁶ 3/4, incl. fastener set acrylic/PVC		350 01 709 342 XXX
12	Rain gutter conical 500 cm, PzNS, ⁶ 4/3, incl. fastener set acrylic/PVC		350 01 709 344 XXX
12	Rain gutter conical 550 cm, PzNS, ⁶ 4/4, incl. fastener set acrylic/PVC		350 01 709 348 XXX
12	Rain gutter conical 600 cm, PzNS, ⁶ 4/4, incl. fastener set acrylic/PVC		350 01 709 350 XXX
13	Curtain 300 × 230 cm, PzN, ⁶ 3/ incl. fastener set acrylic		350 01 759 448 XXX
13	Curtain 350 × 230 cm, PzN, ⁶ 3/ incl. fastener set acrylic		350 01 759 450 XXX
13	Curtain 400 × 230 cm, PzN, ⁶ 3/ incl. fastener set acrylic		350 01 759 452 XXX
13	Curtain 450 × 230 cm, PzN, ⁶ 3/ incl. fastener set acrylic		350 01 759 454 XXX
13	Curtain 500 × 230 cm, PzN, ⁶ 3/ incl. fastener set acrylic		350 01 759 456 XXX
13	Curtain 500 × 230 cm, PzN, ⁶ 4/ incl. fastener set acrylic		350 01 759 458 XXX
13	Curtain 550 × 230 cm, PzN, ⁶ 4/ incl. fastener set acrylic		350 01 759 460 XXX
13	Curtain 600 × 230 cm, PzN, ⁶ 4/ incl. fastener set acrylic		350 01 759 462 XXX

⁵ fabric colour must be indicated

⁶ Number of fixation points (struts). For rain gutter left / right in drain direction.

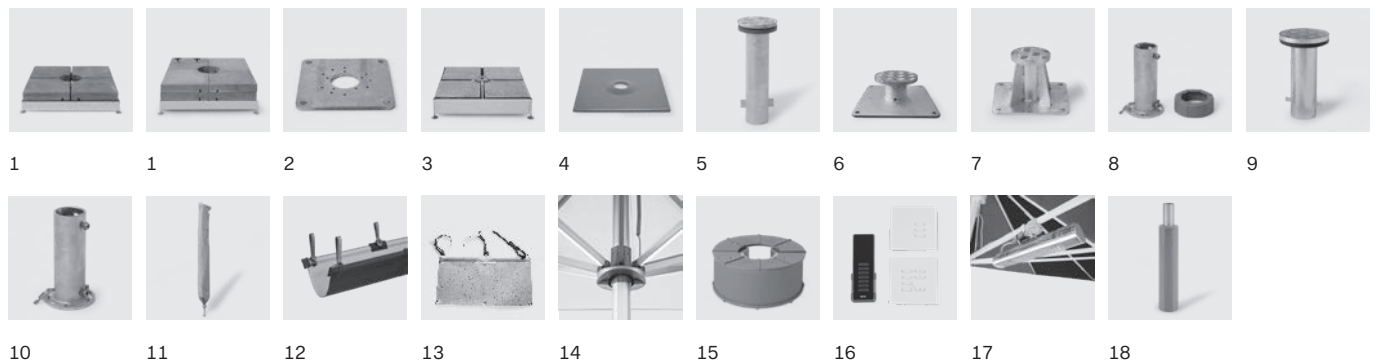
Accessories

Accessories Palazzo Noblesse with crank (accessories absolutely necessary)		Order no.
14/15	Control Pz14 for LED, 1×230 V, 10 A (remote control with 3- or 7-channels absolutely necessary)	350 01 559 010
15	Control Pz14 for heating, 3×400 V, 16 A (remote control with 3- or 7-channels absolutely necessary)	350 01 559 020
14/15	Control Pz14 for LED and heater, 3×400 V, 16 A (7-channel remote control absolutely necessary)	350 01 559 030
14/15	Control Pz14 for LED and heater, 1×230 V, 16 A max. 2 radiant heaters 1500 W or 20 A max. 4 radiant heaters 1000 W (7-channel remote control absolutely necessary)	350 01 559 035
Accessories Palazzo Noblesse with motor		
15	Control Pz14 for motor, 1×230 V, 10 A (3-channel remote control absolutely necessary)	350 01 559 100
14/15	Control Pz14 for LED and motor, 1×230 V, 10 A (7-channel remote control absolutely necessary)	350 01 559 110
15	Control Pz14 for heating and motor, 3×400 V, 16 A (7-channel remote control absolutely necessary)	350 01 559 120
14/15	Control Pz14 for LED, heater and motor, 3×400 V, 16 A (7-channel remote control absolutely necessary)	350 01 559 130
Options for LED-lighting (4 strips 920 mm white are included with all controls Pz14 with LED)		
	LED-strips warm white long, 4×1480 mm (only for Ø700, 600×500, 500×500, 550×550, 600×600)	350 01 559 560
	RGBW LED-strips 4×920 mm (remote control with 42 channels absolutely necessary)	350 01 559 561
	RGBW LED-strips 4×1480 mm (remote control with 42 channels absolutely necessary) (only for Ø700, 600×500, 500×500, 550×550, 600×600)	350 01 559 562
	LED-strips mounted on top of the rods (indirect lighting)	350 01 559 559
Electrical accessories		
16	Remote control, for wall installation, IP20, 3-channel, white	350 01 555 270
16	Remote control, for wall installation, IP20, 7-channel, white	350 01 555 280
16	Remote control, incl. wall bracket, IP20, 7-channel, black	350 01 555 290
16	Remote control, incl. wall bracket, IP20, 42-channel, black	350 01 555 300
17	Radiant heater (infrared heater) for Pz14 controls, polished aluminium, 1500 W, 230 V, 6.5 A, (incl. cable, max. of 4 radiant heater per sunshade), (price given for one radiant heater)	350 01 570 320
	Radiant heater (infrared heater), polished aluminium, 1500 W, 230 V, 6.5 A (Including cable, max. 4 radiant heaters per sunshade, price is per radiant heater) available from July 2021	350 01 570 400
Miscellaneous items		
	High-grade steel kit (axis mounting and hinge set, 8 parts, lock) for use in corrosive environment	350 01 900 832
	High-grade steel kit (axis mounting and hinge set, 10 parts, lock) for use in corrosive environment	350 01 901 032
	High-grade steel kit (axis mounting and hinge set, 12 parts, lock) for use in corrosive environment	350 01 901 232
	¹⁴ Strap system, PzS 350×300, 400×300, 450×350, 500×400, 350×350, 400×400, 450×450, Ø 450, Ø 500, Ø 550	350 01 900 300
	¹⁴ Strap system, PzN 600×400, 600×500, 500×500, 550×550, 600×600, Ø 700	350 01 900 310
18	¹³ Impact protection for shade pole, grey, detachable, H = 85 cm	350 01 906 200

¹ while stocks last

¹³ Certain shade sizes require the removal of the impact protection before closing the shade. See closing height table (E)

¹⁴ Only available in conjunction with a new sunshade or a new cover.





FINNKAIHDIN.

www.finnkaihdin.fi

